

Technical data sheet



Product features

Toaster 4x holders 2x grid

Model

SAP Code

00004295



- Standard equipment for device: 4x tongs, 2x grid
- Timer: Yes
- Material: Stainless steel
- Indicators: operation and warm-up
- Removable rear wall of the device: Yes
- Container for liquid fat: Yes

SAP Code	00004295	Net Weight [kg]	11.00
Net Width [mm]	348	Power electric [kW]	2.400
Net Depth [mm]	274	Loading	230 V / 1N - 50 Hz
Net Height [mm]	403	Standard equipment for device	4x tongs, 2x grid

Technical data sheet



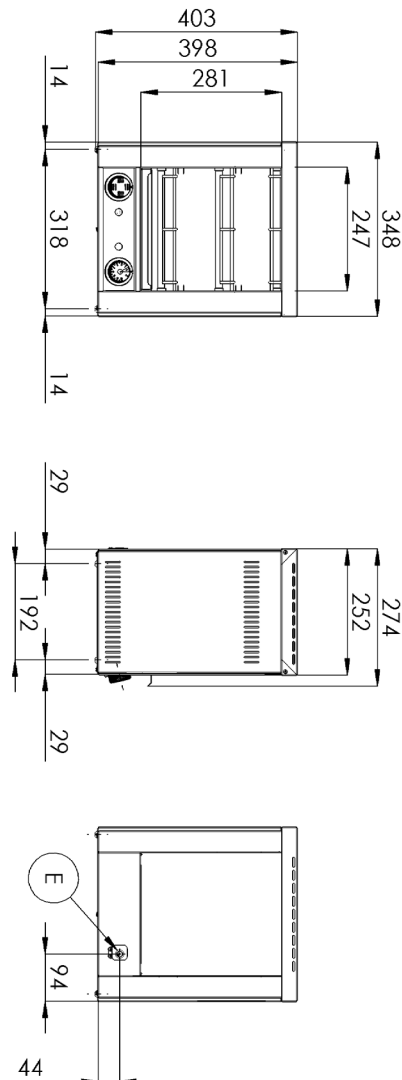
Technical drawing

Toaster 4x holders 2x grid

Model

SAP Code

00004295



Technical data sheet



Product benefits

Toaster 4x holders 2x grid

Model

SAP Code

00004295

1

All-stainless design

only stainless steel intended for food contact is used

- absolutely rust-proof and non-magnetic design
- resists even weak acids easier compliance with hygiene standards (HACCP); easy maintenance and cleaning

2

Run and warm-up light

optical possibility to check the status of the device

- the operator immediately knows the on/off, heating/ non-heating state of the appliance

3

Separate control for individual sections

the possibility of a heating system separately

- greater variability of use

4

Catch container for breadcrumbs

breadcrumbs fall outside the furnace

- no crumbs falling off

5

Removable back wall

possibility to open the back wall of the device

- possible filling of the equipment by the operator

6

Silicon heaters

immediate onset of heat
intense radiant heat

- the device can be switched off even during the operating day
- toasted food vigorously and without overheating inside
- faster food preparation

7

The tongs and grid are part of the standard equipment

I can put the food on the grate or put it in tongs

- universally applicable equipment
- I can prepare different types of food using standard equipment

Technical data sheet



Technical parameters

Toaster 4x holders 2x grid

Model

SAP Code

00004295

1. SAP Code:

00004295

2. Net Width [mm]:

348

3. Net Depth [mm]:

274

4. Net Height [mm]:

403

5. Net Weight [kg]:

11.00

6. Gross Width [mm]:

355

7. Gross depth [mm]:

395

8. Gross Height [mm]:

440

9. Gross Weight [kg]:

12.00

10. Device type:

Electric unit

11. Construction type of device:

Table top

12. Material:

Stainless steel

13. Power electric [kW]:

2.400

14. Loading:

230 V / 1N - 50 Hz

15. Standard equipment for device:

4x tongs, 2x grid

16. Protection of controls:

IPX4

17. Timer:

Yes

18. Removable rear wall of the device:

Yes

19. Container for liquid fat:

Yes

20. Indicators:

operation and warm-up